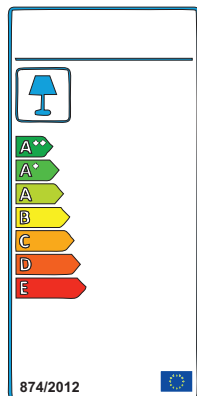


www.wohnconcept-premium.de

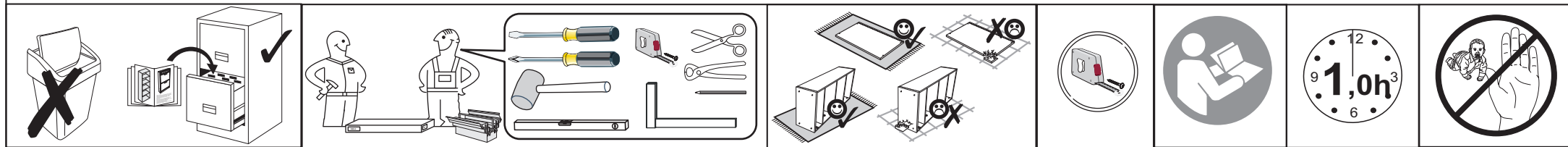
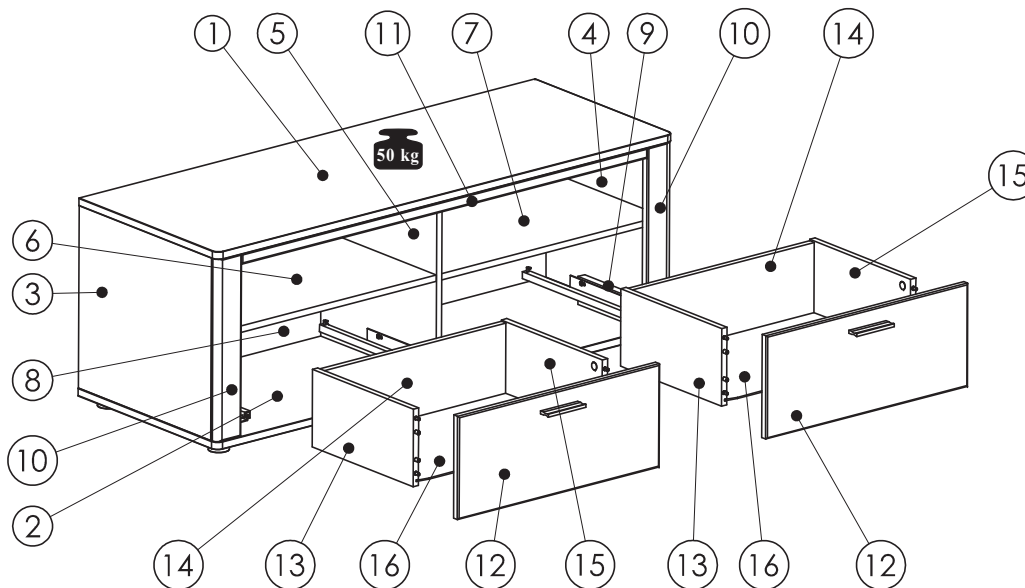
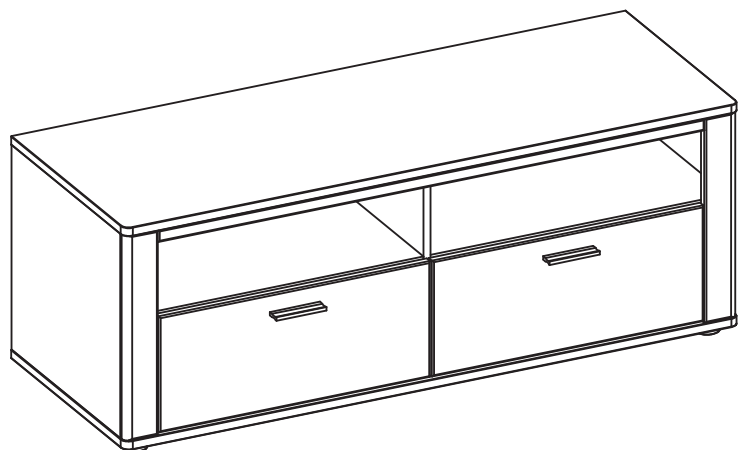


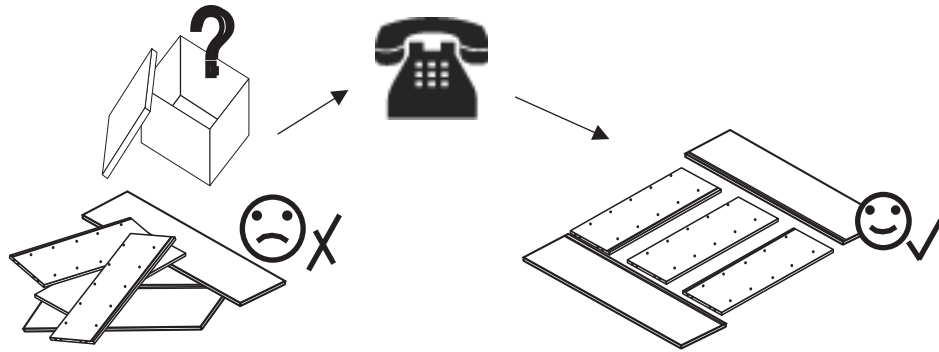
BG	Bulgarisch	български
CS	Tschéisch	čeština
DA	Dänisch	Daňsk
DE	Déutsch	Déutsch
ET	Estnisch	Eésti
EL	Griéchisch	ελληνικά
EN	Eñglish	Eñglish
ES	Spañisch	éspa ol
FR	Frañzósich	Frañçais
FI	Fiñnisch	suomalaiñen
HR	Kroatisch	hrvatski
HU	Uñgarisch	magyar
IT	Italiénisch	Italiaño
LV	Léttsich	Latvijas
LT	Litauisch	Liétuvos
NL	Niéderlänðisch	Néderlänðs
PL	Pólnisch	Polski
PT	Portugiésisch	portugu s
RO	Rumänisch	román
SK	Slowakisch	slovéniský
SL	Slowénisch	slovénščina
SV	Schwédisch	Svéniska



Nr 1

000541		x2
φ 60		
000070		x20
3,5x13		
000071		x1
φ 8x40		
4x45		
000073		x1
000544		x15
000177		x4
M4x25		
005684		x2
000399		x5













A grid of 24 icons providing various instructions and warnings for the OPAL assembly process:

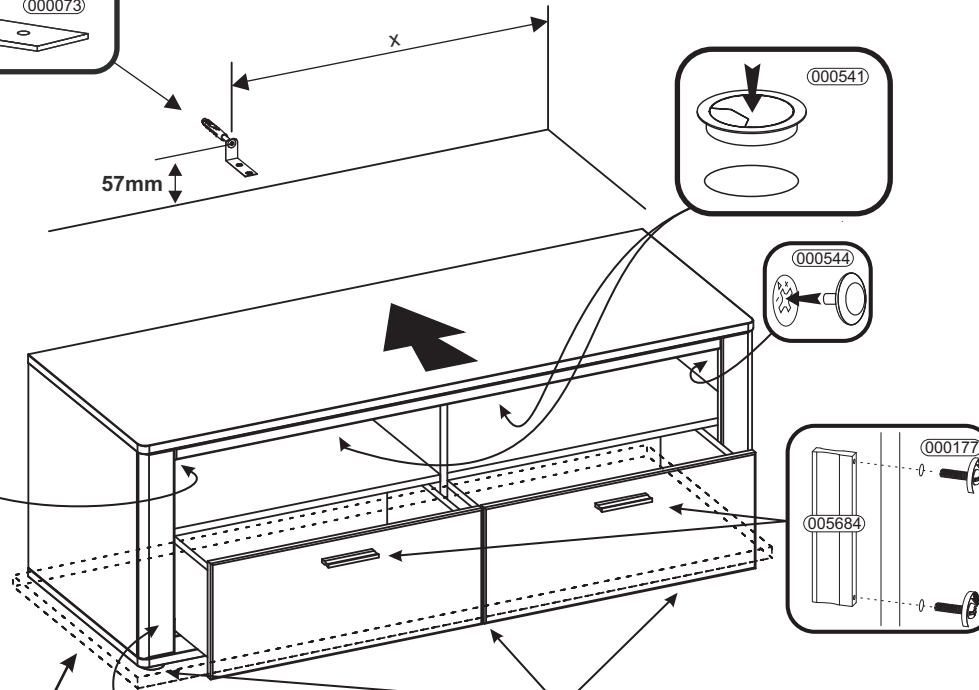
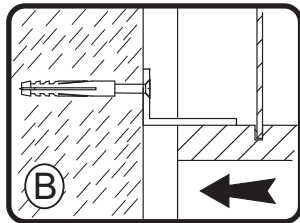
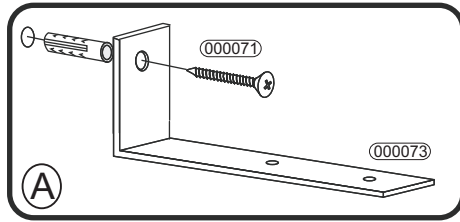
- 1. A baby and a hand with a diagonal line through them, indicating no children or pets should touch the product.
- 2. A sequence of icons showing a question mark, a telephone, and a thumbs up, representing the support and success flow.
- 3. Two coffee cups: one with steam and a checkmark, the other with a diagonal line through it, indicating that hot liquids should not be placed on the surface.
- 4. Two panels: one with a checkmark and the other with a sad face and 'X', showing correct and incorrect placement on a grid.
- 5. Two panels: one with a checkmark and the other with a sad face and 'X', showing correct and incorrect placement on a brick wall.
- 6. A hand being washed, a gear icon, and the text "100% COTTON", indicating the material and care instructions.
- 7. A bottle with a sad face and 'X', indicating that cleaning products should not be used.
- 8. A person leaning against a panel with a sad face and 'X', and an arrow pointing away, indicating no leaning.
- 9. Two people standing on a panel with a sad face and 'X', and an arrow pointing up, indicating no standing on the product.
- 10. A person standing on a panel with a sad face and 'X', indicating no standing on the product.
- 11. A brick wall with a panel being attached to it, showing the correct installation method.
- 12. A panel being attached to a wall with a screw, showing the correct installation method.
- 13. A person sitting on a panel with a sad face and 'X', and an arrow pointing away, indicating no sitting on the product.
- 14. A completed panel standing on a floor, showing the final result.

A collection of icons providing additional instructions and warnings:

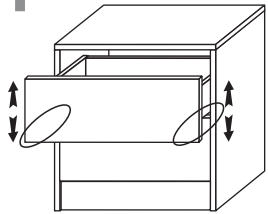
- 1. A warning triangle with a falling object, indicating a risk of injury.
- 2. A diagram showing a hand using a screwdriver to adjust a part, with labels "n26.1" and "p38".
- 3. A diagram showing two boxes labeled "A" and "B" with the text "A=B" and a thumbs up, indicating that the boxes should be of equal size.
- 4. A diagram showing a spray bottle and a hand, indicating that cleaning should be done with a spray bottle.
- 5. A calendar showing the days of the week and dates, with a thumbs up, indicating that the product is suitable for use on any day.
- 6. A diagram showing a hand using a screwdriver to adjust a part, with a thumbs up, indicating that the product is easy to adjust.
- 7. A diagram showing a hand using a screwdriver to adjust a part, with a thumbs up, indicating that the product is easy to adjust.
- 8. A diagram showing a hand using a screwdriver to adjust a part, with a thumbs up, indicating that the product is easy to adjust.

1

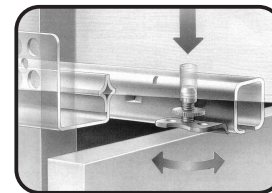
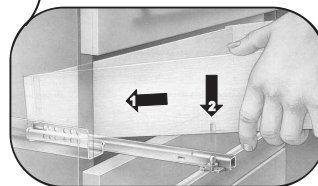
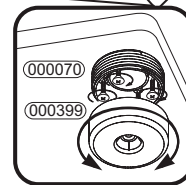
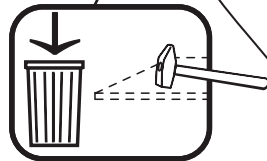
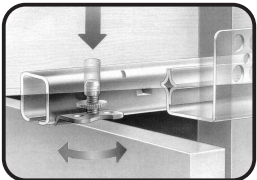
- 000541  x2
- φ 60
- 000070  x20
- 3,5x13 x20
- 000071  φ 8x40
- 4x45 x1
- 000073  x1
- 000544  x15
- 000177  M4x25 x4
- 005684  x2
- 000399  x5

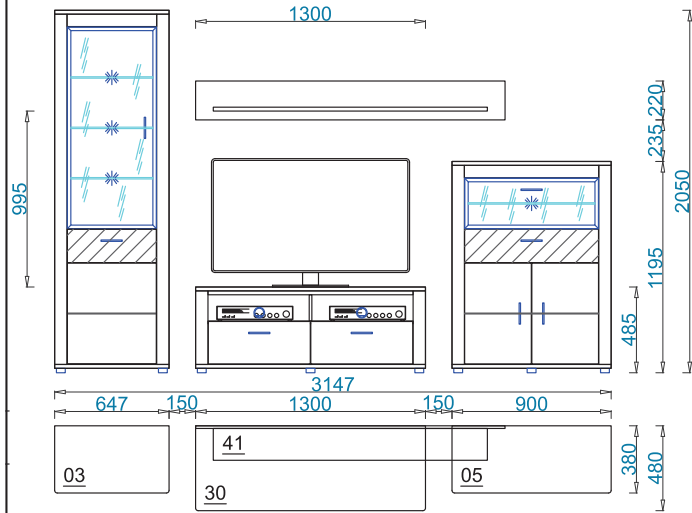


1

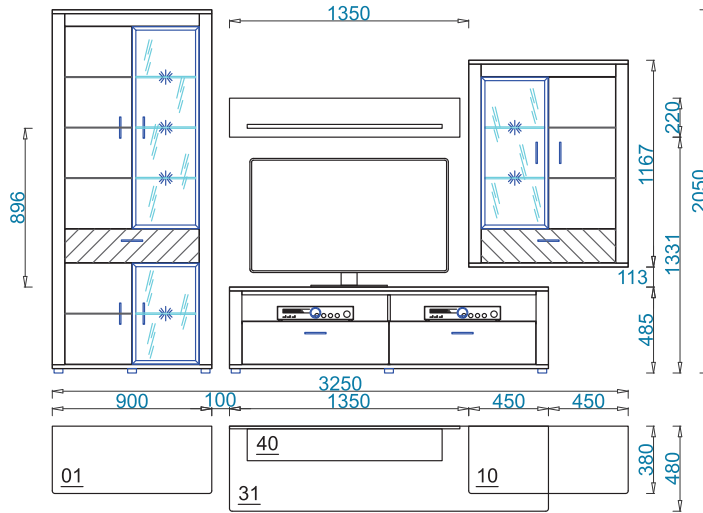


2

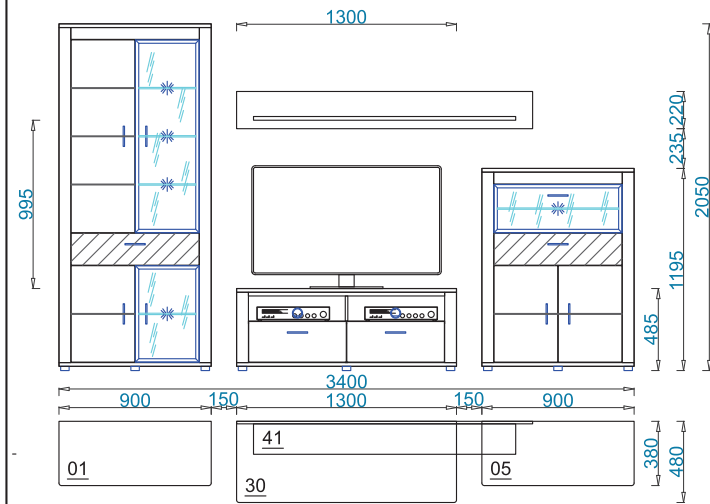
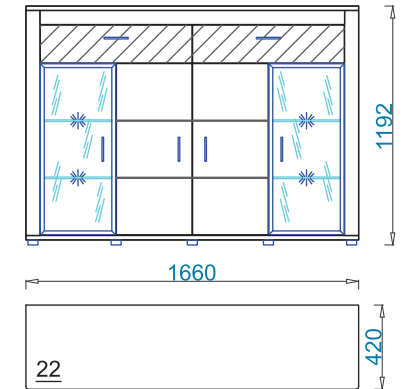




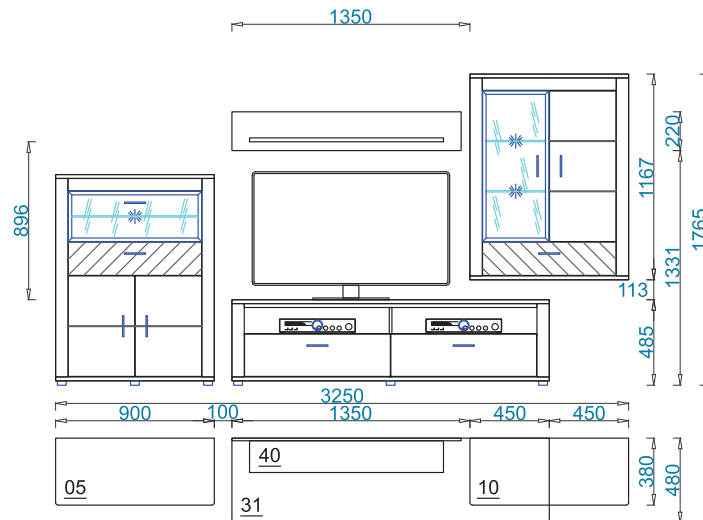
Kombination 80



Kombination 81



Kombination 82



Kombination 83

