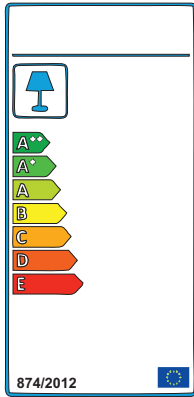


[www.wohnconcept-premium.de](http://www.wohnconcept-premium.de)

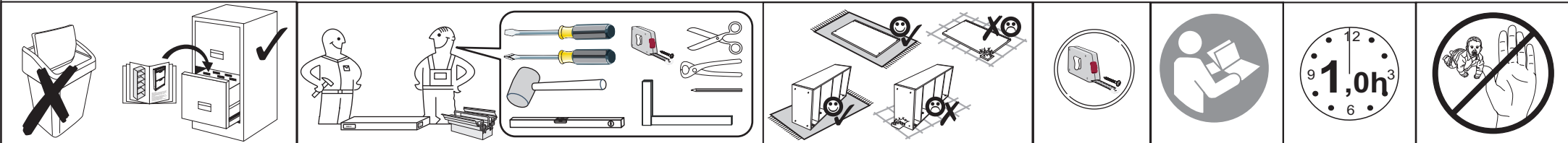
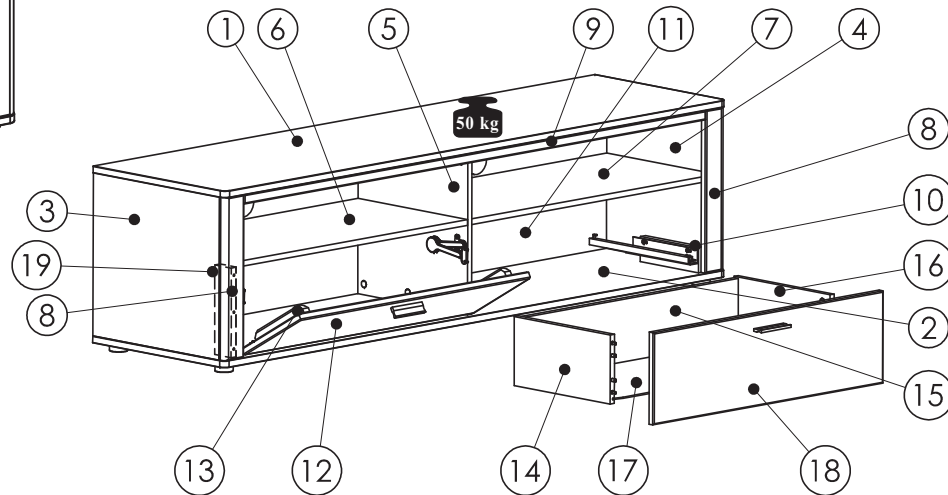
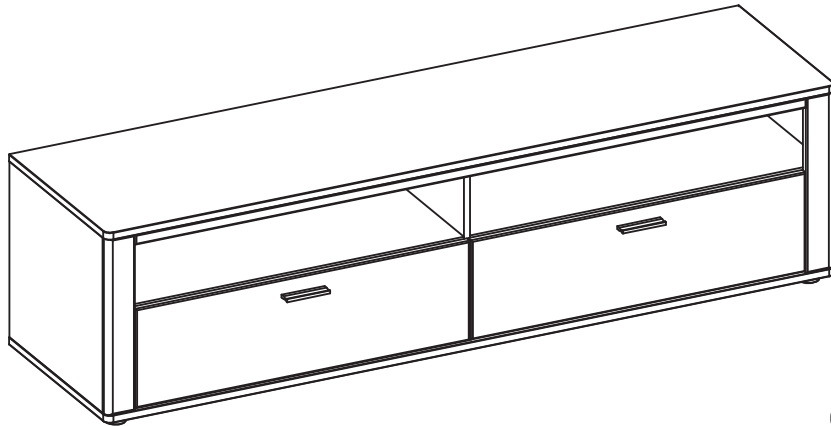


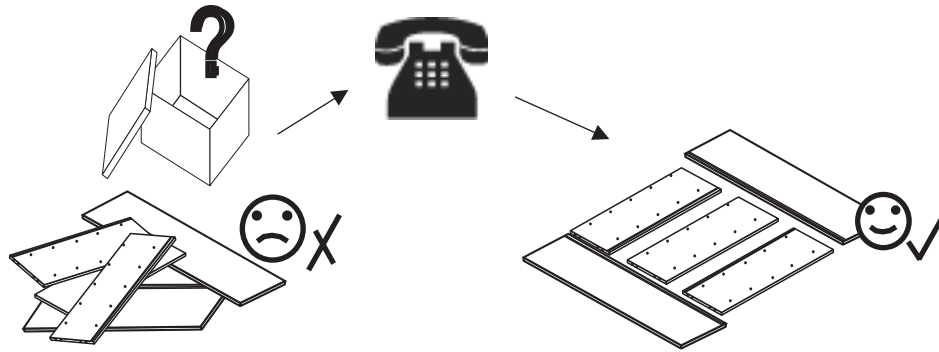
BG	Bulgarisch	български
CS	Tschéisch	čeština
DA	Dänisch	Daňsk
DE	Déutsch	Déutsch
ET	Estnisch	Eésti
EL	Griéchisch	ελληνικά
EN	Eñglish	Eñglish
ES	Spañisch	éspa ol
FR	Frañzösisch	Frañçais
FI	Finnisch	suomalaiñen
HR	Kroatisch	hrvatski
HU	Uñgarisch	magyar
IT	Italiénisch	Italiaño
LV	Léttsich	Latvijas
LT	Litauisch	Liétuvos
NL	Niéderlänðisch	Néderlänðs
PL	Pólnisch	Polski
PT	Portugiésisch	portugu s
RO	Rumänisch	romän
SK	Slowakisch	slovénšký
SL	Slowénisch	slovénščiña
SV	Schwédisch	Svéniska



## Nr 1

000541		x2
φ 60		
000070		x20
3,5x13		
000071		x2
φ 8x40		
4x45		
000073		x2
000544		x16
000177		x4
M4x25		
005684		x2
000399		x5






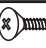






A grid of 18 icons providing assembly instructions and warnings:

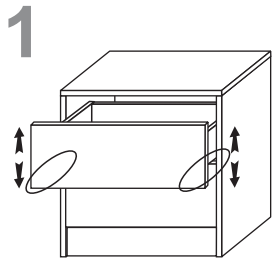
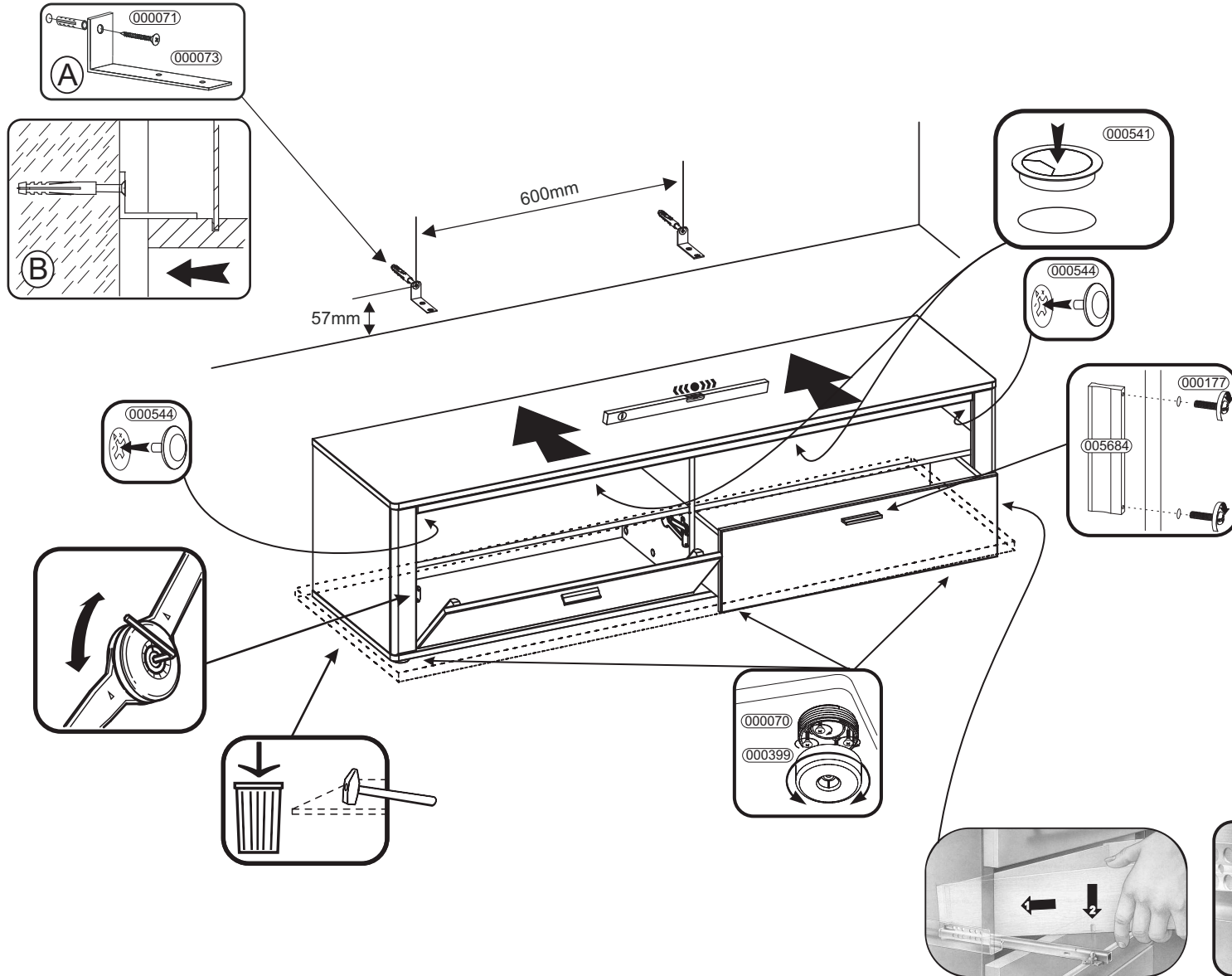
- 1. A baby and a hand with a diagonal line through them, indicating no children or hands should be near the unit.
- 2. A sequence of icons: a box with a question mark, a telephone, and a happy face with a checkmark, indicating the correct assembly path.
- 3. Two coffee cups: one with steam and a checkmark, the other with steam and a diagonal line through it, indicating that hot liquids should not be placed on the unit.
- 4. Two panels: one with a happy face and checkmark, the other with a sad face and X, indicating correct and incorrect panel placement.
- 5. Two cabinet doors: one with a diagonal line through it, the other without, indicating that doors should be closed.
- 6. A hand being washed, a gear icon, and the text "100% COTTON", indicating that the unit should be cleaned with 100% cotton.
- 7. A bottle with a diagonal line through it, indicating that cleaning products should not be used.
- 8. A person leaning against a cabinet with a diagonal line through it, indicating that the unit should not be used as a leaning surface.
- 9. A person standing next to a cabinet with an upward arrow, indicating that the unit should be placed on a flat, level surface.
- 10. A person standing on top of a cabinet with a diagonal line through it, indicating that the unit should not be used as a step or platform.
- 11. A brick wall with a nail being driven into it, indicating that the unit should be secured to a wall.
- 12. A cabinet door with a diagonal line through it, indicating that doors should be closed.
- 13. A person sitting on a cabinet with a diagonal line through it, indicating that the unit should not be used as a seat.
- 14. A cabinet with a diagonal line through it, indicating that the unit should not be used as a storage area for heavy items.

A collection of icons including:

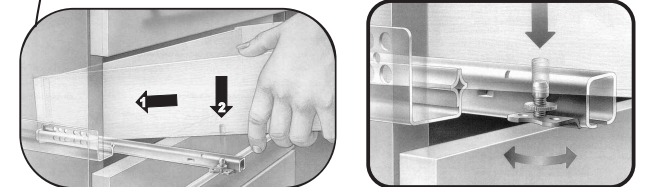
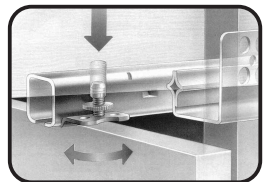
- 1. A warning triangle with a falling object, indicating a risk of injury.
- 2. A diagram of a cabinet with a person's hand pointing to a specific part, labeled "n26.1" and "p38".
- 3. A diagram of a cabinet with two sections labeled "A" and "B", and the text "A=B" with a thumbs up, indicating that sections A and B should be equal in length.
- 4. A spray bottle and a hand, indicating cleaning instructions.
- 5. A calendar showing the days of the week (Mo, Tu, We, Th, Fr, Sa, Su) and the dates (1-31), with a smiley face and checkmark, indicating that the unit should be used regularly.
- 6. A person's hand holding a pen, indicating that the unit should be used for writing.
- 7. A cabinet with a diagonal line through it, indicating that the unit should not be used as a storage area for heavy items.
- 8. A cabinet with a diagonal line through it, indicating that the unit should not be used as a storage area for heavy items.
- 9. A cabinet with a diagonal line through it, indicating that the unit should not be used as a storage area for heavy items.

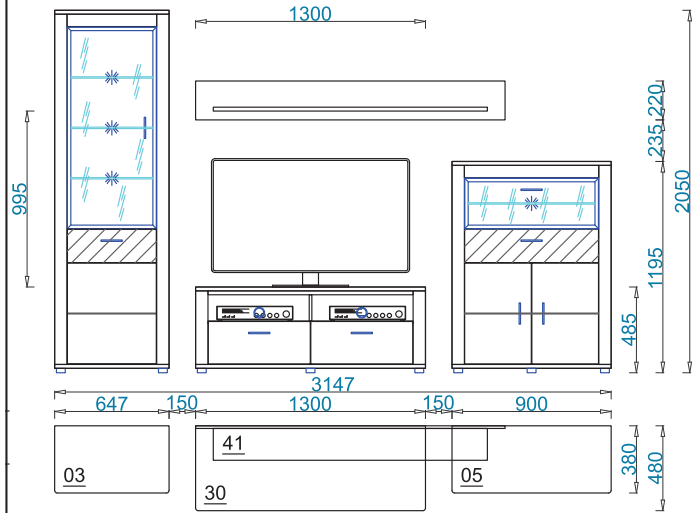
# 1

- 000541  x2
- φ 60
- 000070  x2
- 3,5x13 x20
- 000071  x2
- φ 8x40
- 4x45
- 000073  x2
- 000544  x16
- 000177  x4
- M4x25
- 005684  x2
- 000399  x5

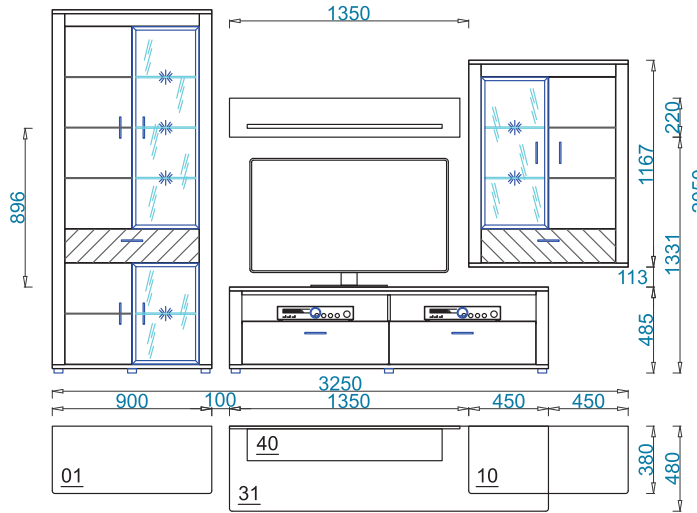


# 2

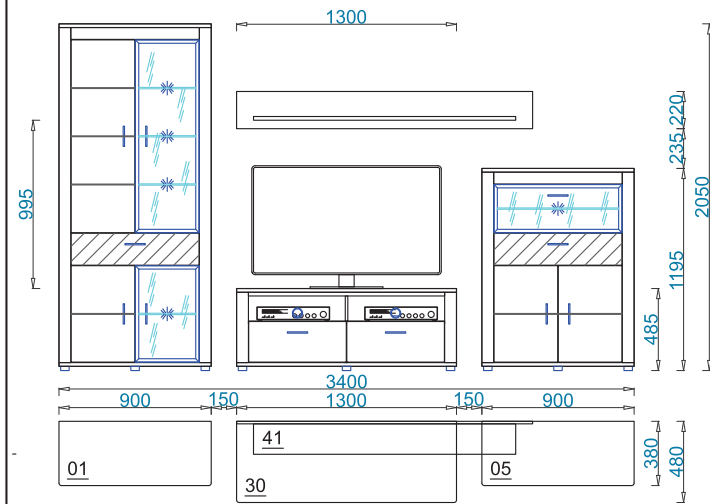
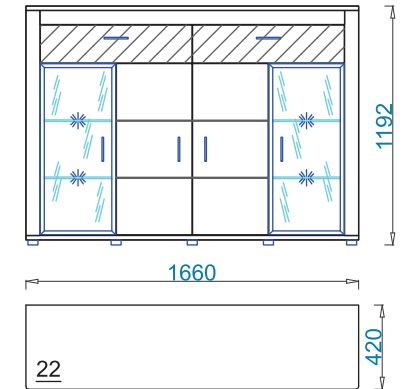




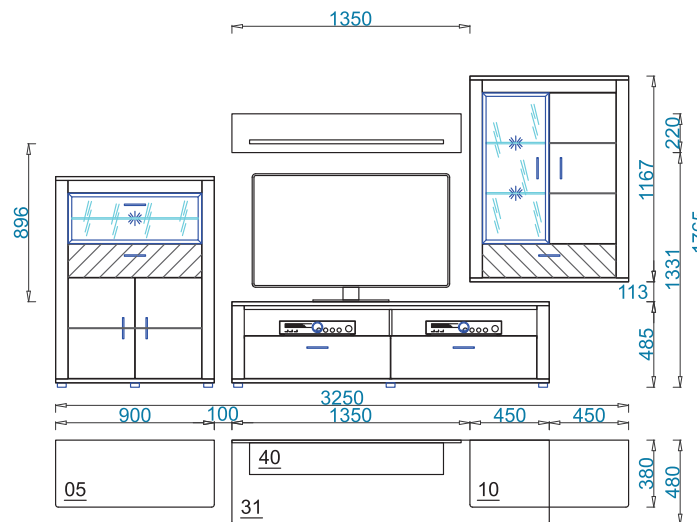
Kombination 80



Kombination 81



Kombination 82



Kombination 83

