

[www.wohnconcept-premium.de](http://www.wohnconcept-premium.de)



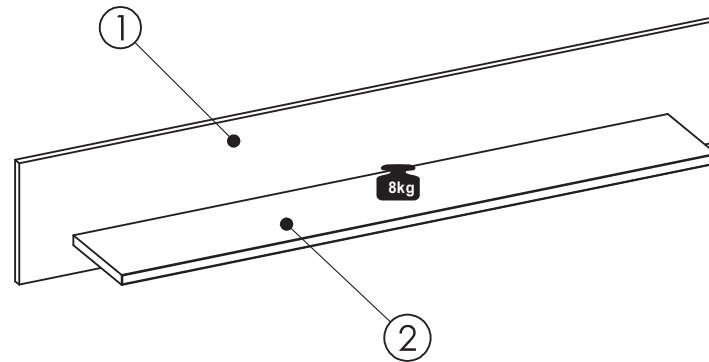
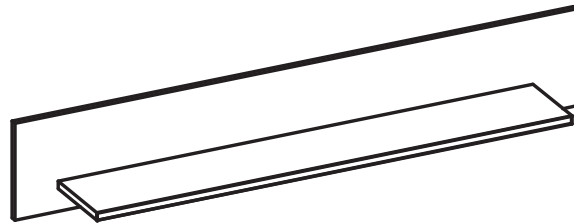
874/2012

BG	Bulgarisch	български
CS	Tschéisch	čeština
DA	Dänisch	Daňsk
DE	Déutsch	Déutsch
ET	Estnisch	Eésti
EL	Griéchisch	ελληνικά
EN	Eñglish	Eñglish
ES	Spañisch	éspa ol
FR	Frañzösisch	Frañçais
FI	Finnisch	suomalaiñen
HR	Kroatisch	hrvatski
HU	Uñgarisch	magyar
IT	Italiénisch	Italiaño
LV	Léttsich	Latvijas
LT	Litauisch	Liétuvos
NL	Niéderlänidisch	Nédérlands
PL	Polnisch	Polski
PT	Portugiésisch	portugu s
RO	Rumänisch	romãñ
SK	Slowakisch	slovéñský
SL	Slowéñnisch	slovéñščina
SV	Schwédisch	Svéñska

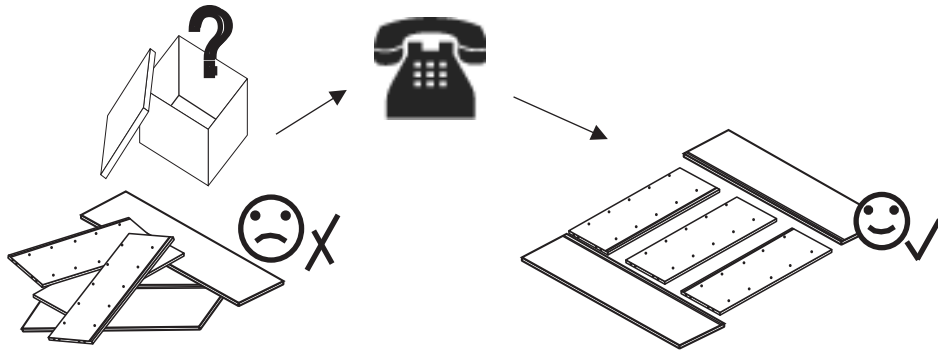


### Nr 1

001655	8x40		x2
000008	7x50		x5
000181			x2
000093			x1



--	--	--	--	--	--	--	--



A grid of 18 icons providing installation instructions and warnings:

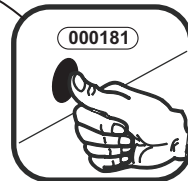
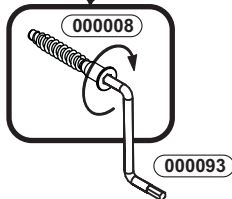
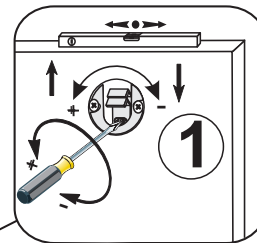
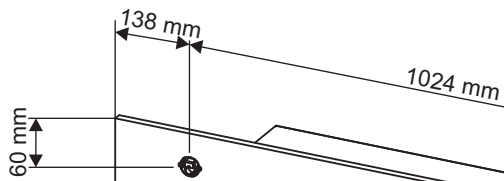
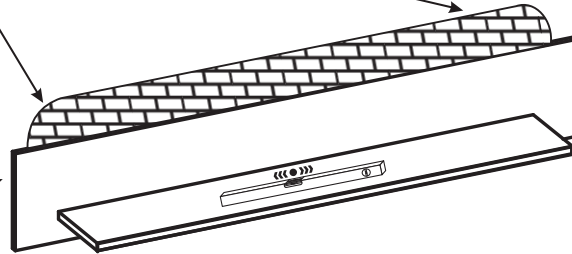
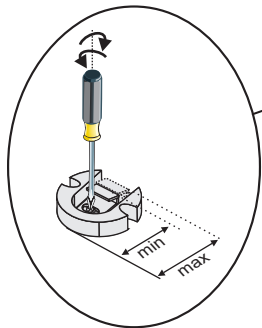
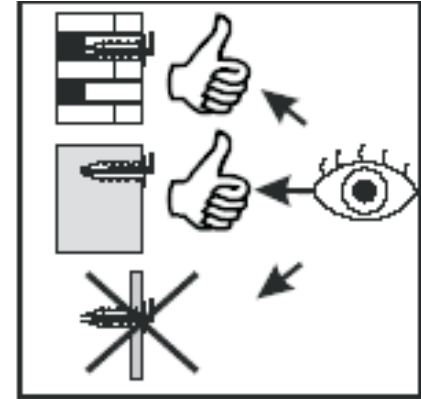
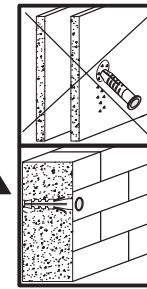
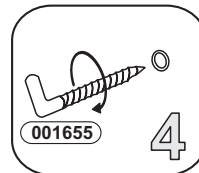
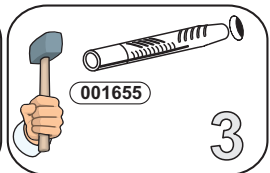
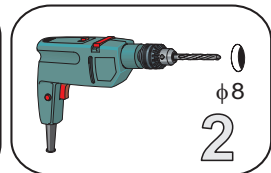
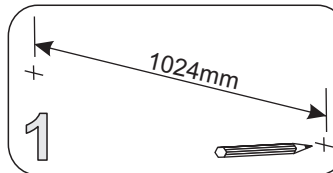
- 1. A baby and a hand with a diagonal line through them, indicating no baby access.
- 2. A telephone icon with arrows pointing to a box and a panel, indicating a call for help.
- 3. Two coffee cups: one with steam and a diagonal line through it, and one with steam and a diagonal line through it with a slash, indicating no hot drinks.
- 4. A panel with a happy face and checkmark, and a panel with a sad face and 'X', indicating correct and incorrect panel placement.
- 5. A box with a happy face and checkmark, and a box with a sad face and 'X', indicating correct and incorrect box placement.
- 6. Two door icons: one with a diagonal line through it, and one without, indicating no doors.
- 7. A hand with a diagonal line through it, a gear icon, and the text '100% COTTON', indicating no sharp objects and use of cotton fabric.
- 8. A bottle with a diagonal line through it and an 'X', indicating no liquids.
- 9. A person with a diagonal line through it and an arrow pointing right, indicating no leaning.
- 10. Two people with an arrow pointing up, indicating no standing on the unit.
- 11. A person with a diagonal line through it, indicating no climbing.
- 12. A brick wall with a nail, indicating no nails in brickwork.
- 13. A door with a diagonal line through it and a screw, indicating no screws in doors.
- 14. A person with a diagonal line through it and a box, indicating no carrying boxes.
- 15. A fully assembled unit, indicating the final result.

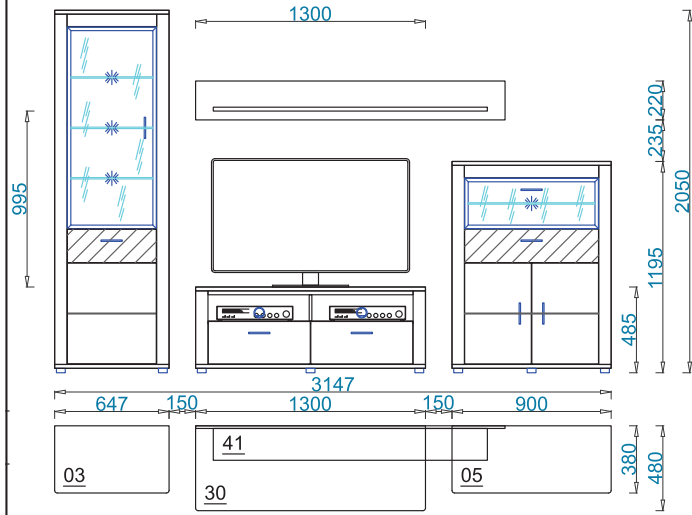
A grid of 6 icons providing additional installation instructions and warnings:

- 1. A warning triangle with a falling object, a diagram of a shelf being attached to a wall, and labels 'n26.1' and 'p38', indicating a warning of falling objects and specific part numbers.
- 2. A diagram of a box with sections 'A' and 'B' and the text 'A=B' with a thumbs up, indicating equal dimensions for sections A and B.
- 3. A spray bottle and a hand, indicating cleaning instructions.
- 4. A hand with a diagonal line through it and a unit with a diagonal line through it, indicating no touching and no use of the unit.
- 5. A calendar showing the days of the week (MoTu We Th Fr Sa Su) and dates (1-31), with a smiley face and checkmark, indicating a warranty period.
- 6. A unit with a diagonal line through it and a screw, indicating no screws in the unit.

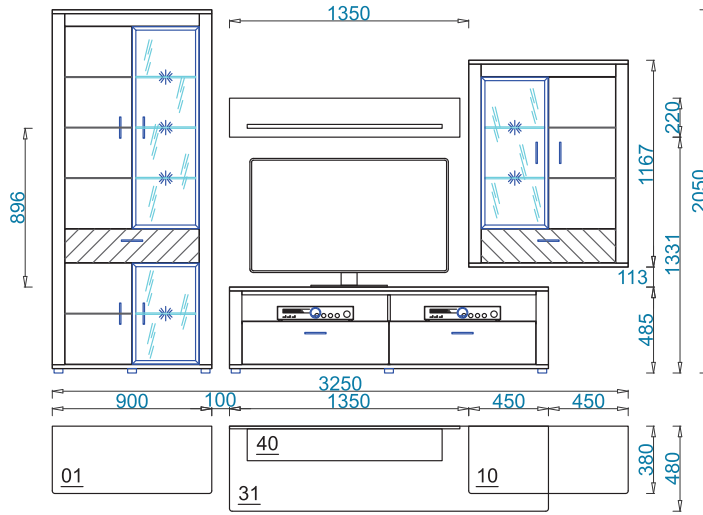
# 1

- 001655 8x40 x2
- 6x50 x2
- 000008 x5
- 7x50 x5
- 000181 x2
- 000093 x1

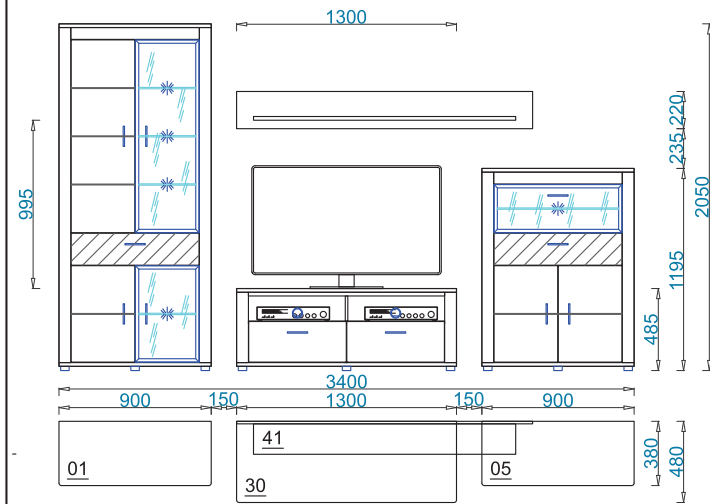
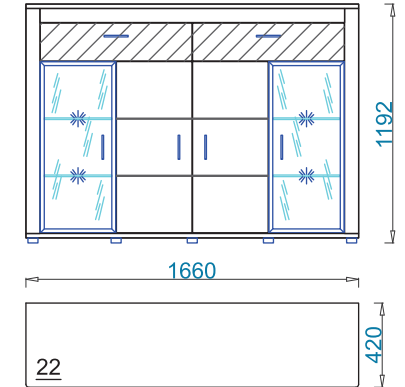




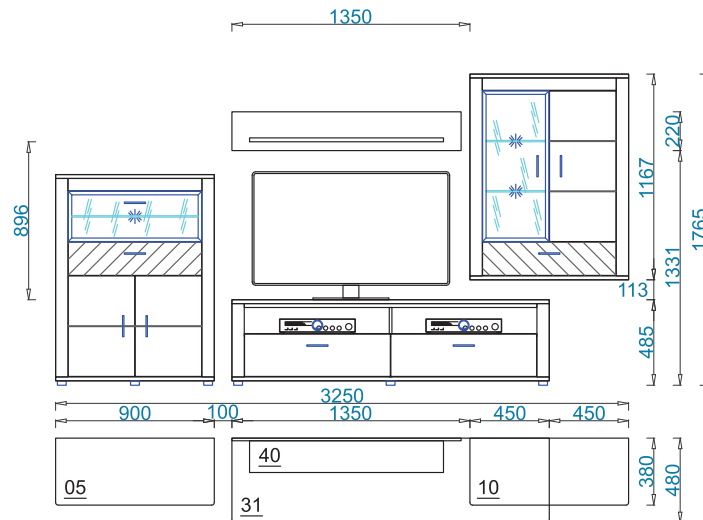
Kombination 80



Kombination 81



Kombination 82



Kombination 83

