

www.wohnconcept-premium.de

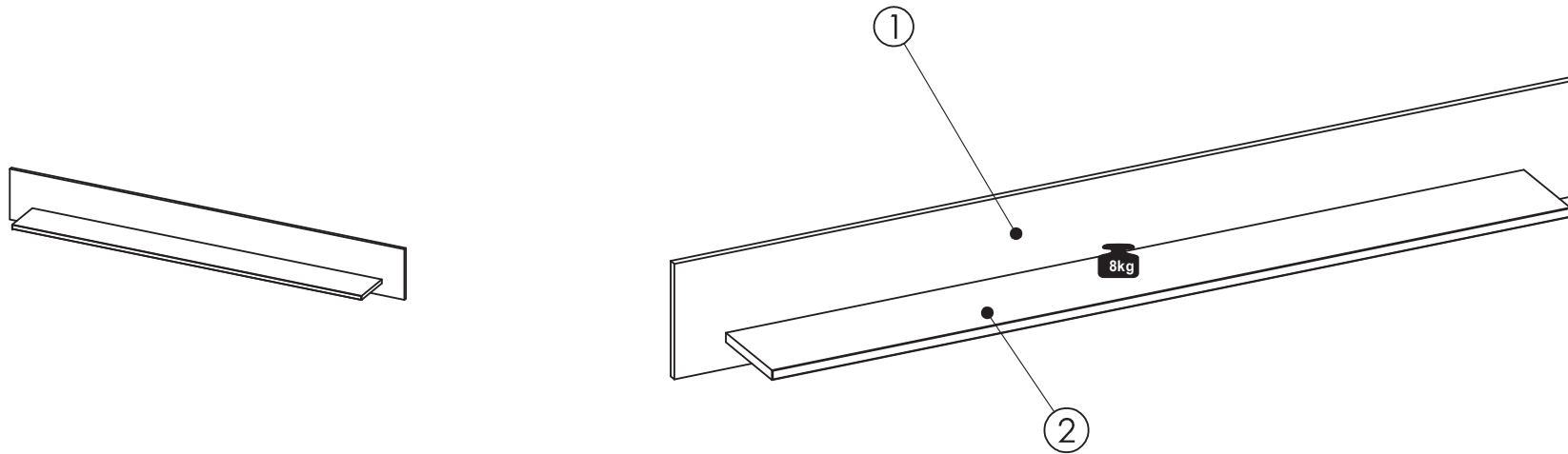


BG	Bulgarisch	български
CS	Tschéisch	čeština
DA	Dänisch	Daňsk
DE	Déutsch	Déutsch
ET	Estnisch	Eésti
EL	Griéchisch	ελληνικά
EN	Eñglish	Eñglish
ES	Spañisch	éspa ol
FR	Frañzósich	Frañçais
FI	Finnisch	suomalaiñen
HR	Kroatich	hrvatski
HU	Uñgarisch	magyar
IT	Italiénisch	Italiaño
LV	Léttsich	Latvijas
LT	Litauisch	Liétuvos
NL	Niéderlänidisch	Nédértañds
PL	Polnisch	Polski
PT	Portugiésisch	portugu s
RO	Rumänisch	romãñ
SK	Slowakisch	slovéñský
SL	Slowéñisch	slovéñščina
SV	Schwédisch	Svéñska

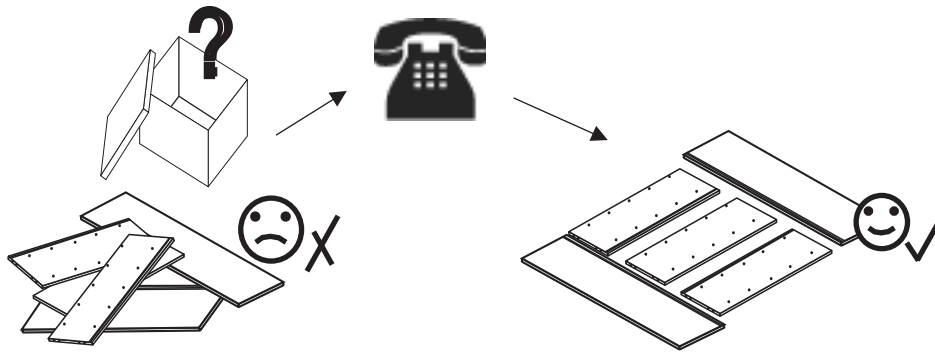


Nr 1

001655	8x40		x3
000008	7x50		x6
000181			x3
000093			x1



--	--	--	--	--	--	--	--	--



A grid of 18 icons providing various instructions and warnings for the assembly process:

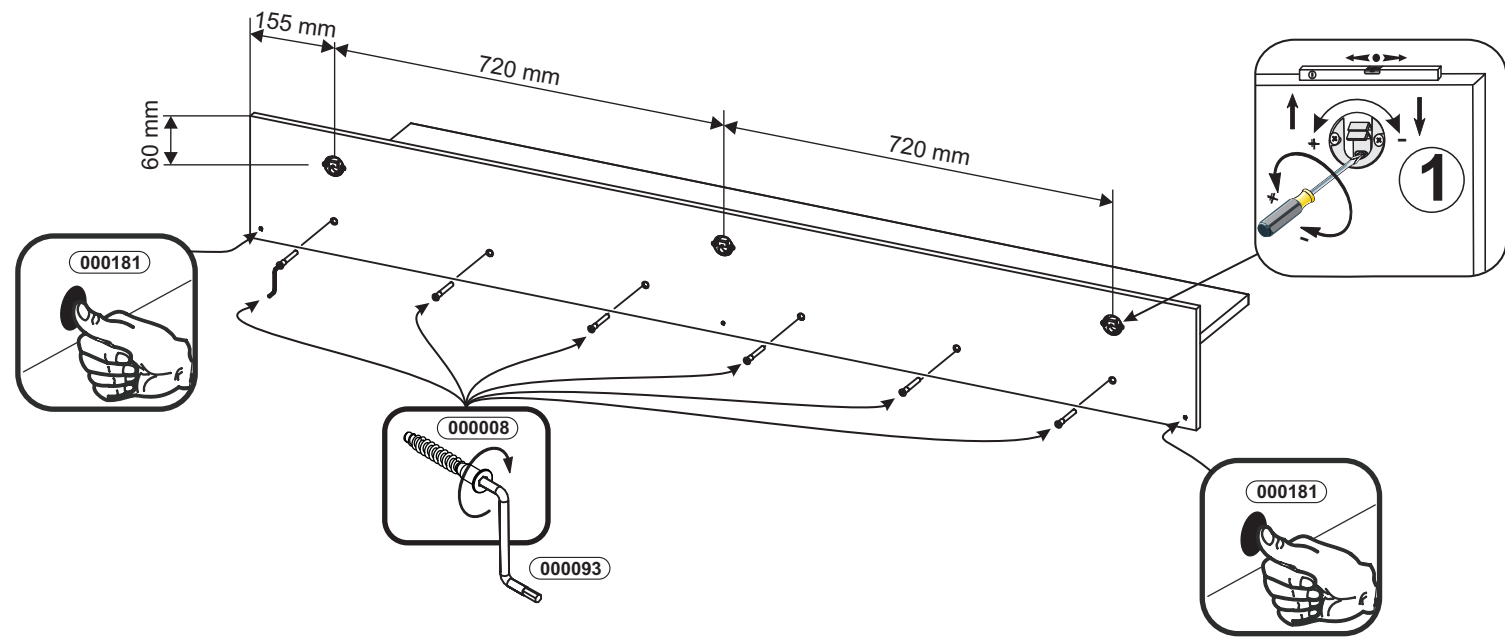
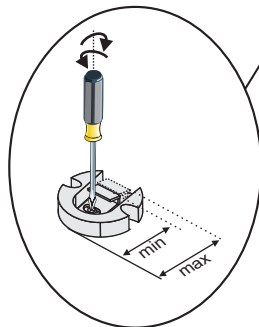
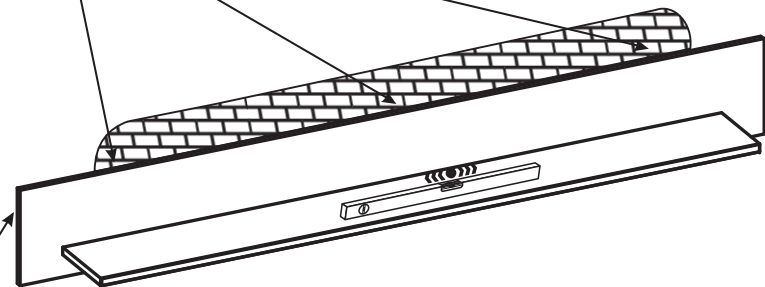
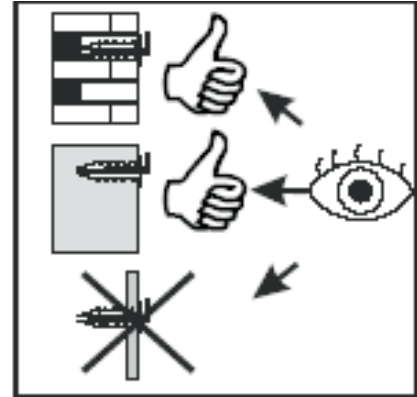
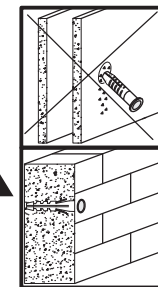
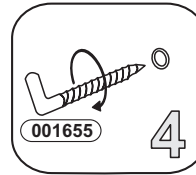
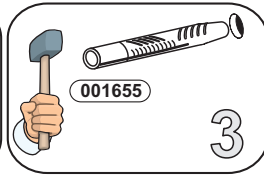
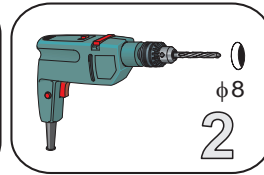
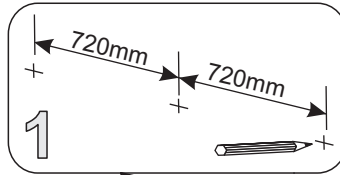
- 1. No children and no hands (prohibited).
- 2. Question mark, telephone, and happy face with checkmark (correct assembly).
- 3. Hot liquid (cup with steam) and hot liquid with a slash (prohibited).
- 4. Happy face with checkmark and sad face with 'X' (correct vs. incorrect placement).
- 5. Happy face with checkmark and sad face with 'X' (correct vs. incorrect placement).
- 6. Slanted door (prohibited) and straight door (correct).
- 7. No hands (prohibited) and 100% COTTON (correct).
- 8. No chemical bottles (prohibited).
- 9. No leaning against the unit (prohibited).
- 10. No standing on the unit (prohibited).
- 11. No standing on the unit (prohibited).
- 12. No standing on the unit (prohibited).
- 13. Wall attachment (correct).
- 14. No wall attachment (prohibited).
- 15. No leaning against the unit (prohibited).
- 16. No leaning against the unit (prohibited).

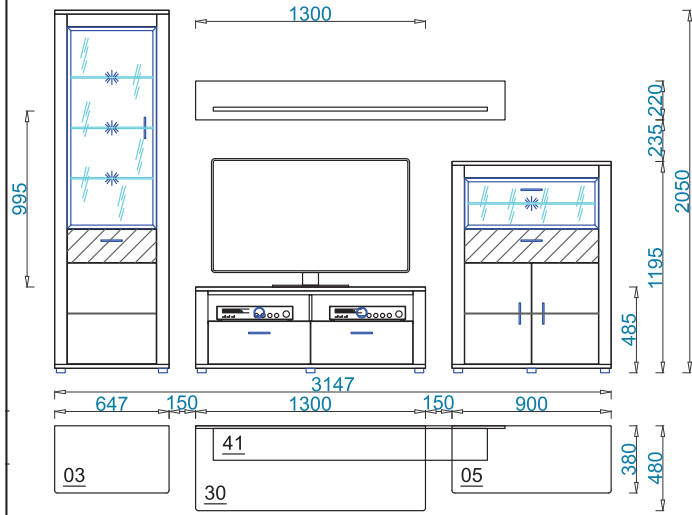
A collection of icons providing additional safety and scheduling information:

- 1. Warning triangle with a falling object (danger).
- 2. Assembly diagram showing a hand using a screwdriver on a panel, with labels 'n26.1' and 'p38'.
- 3. Diagram showing two boxes labeled 'A' and 'B' with 'A=B' and a thumbs up (equality).
- 4. Diagram showing a spray bottle and a hand (cleaning).
- 5. Calendar showing the days of the week (Mo, Tu, We, Th, Fr, Sa, Su) and a grid of numbers (1-31).
- 6. Happy face with checkmark (positive outcome).
- 7. No leaning against the unit (prohibited).
- 8. No leaning against the unit (prohibited).
- 9. No leaning against the unit (prohibited).

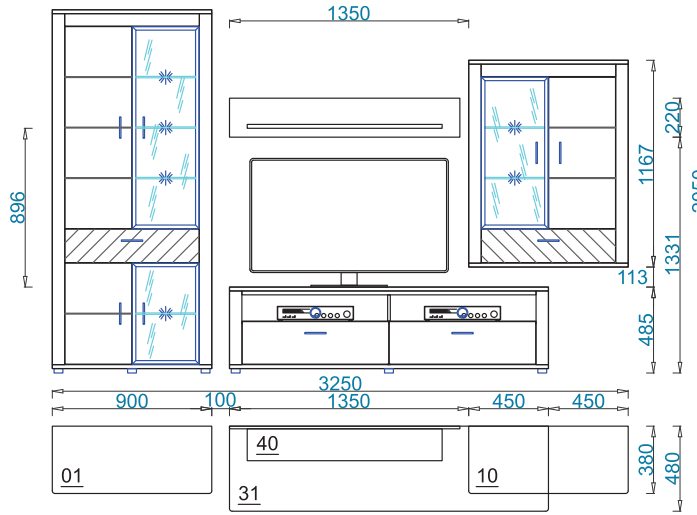
1

- 001655 8x40 x3
- 6x50 x3
- 000008 x6
- 7x50 x6
- 000181 x3
- 000093 x1

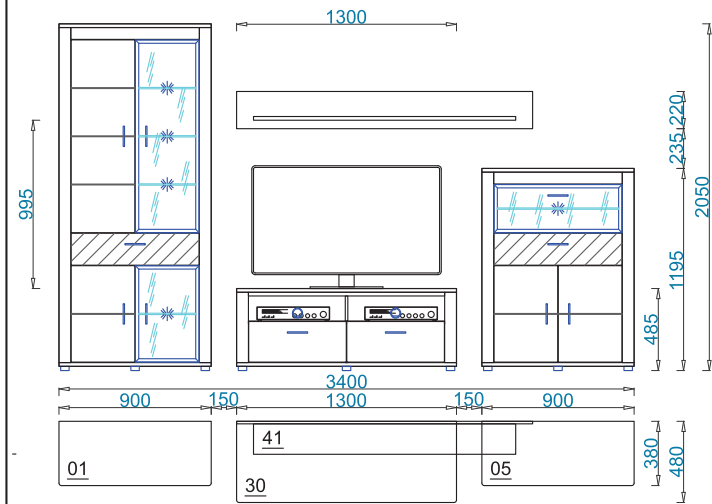
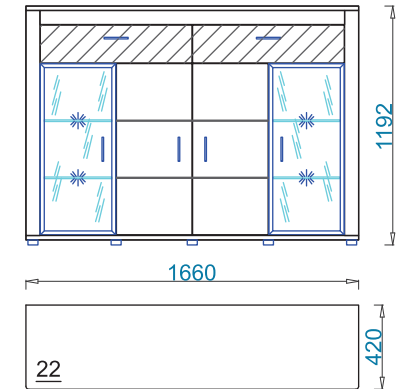




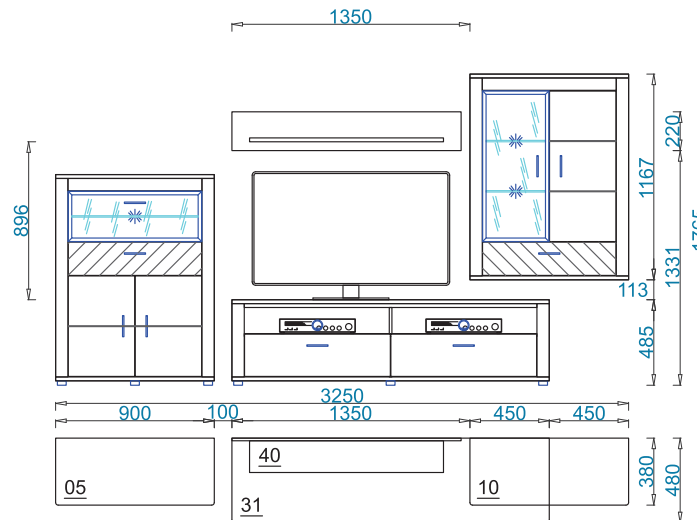
Kombination 80



Kombination 81



Kombination 82



Kombination 83

